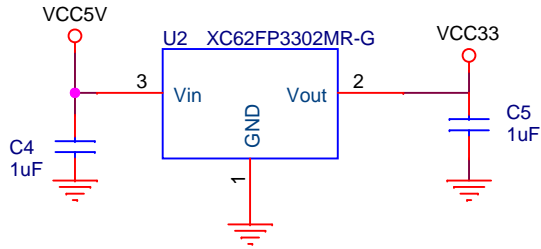
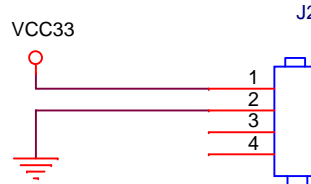


USB connector



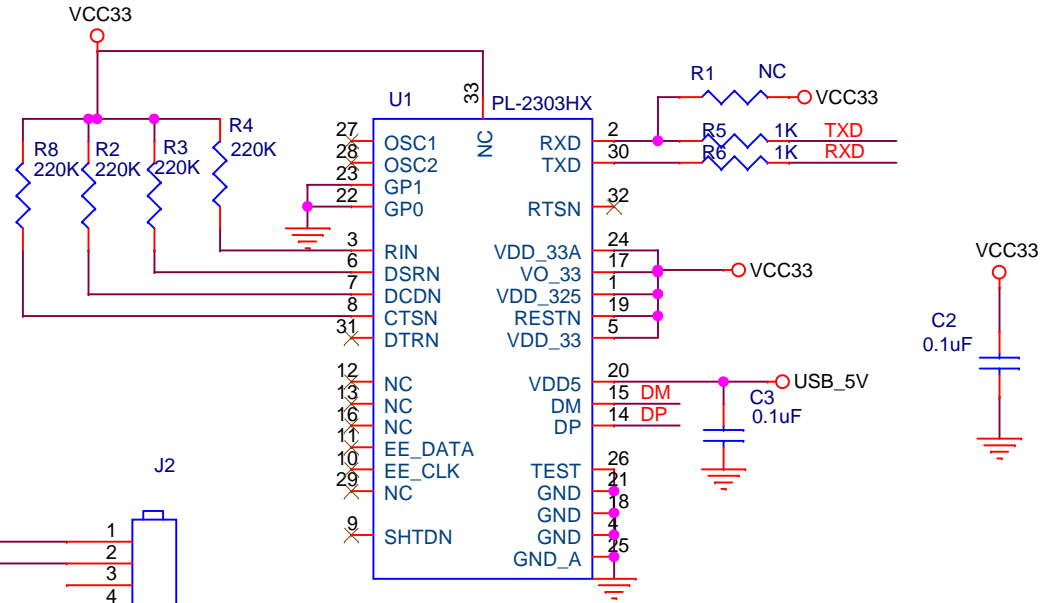
system power



4 HEADER



4 HEADER



| | | |
|------------|-------------------------|--------------|
| Title | | |
| USB | | |
| Size | Document Number | Rev |
| A | Small Board:Venus822A | V1.1 |
| Date: | Thursday, June 04, 2015 | Sheet 1 of 1 |