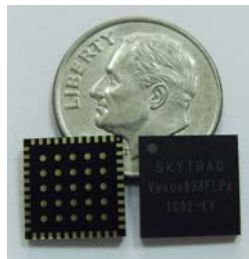


Venus838FLPx GPS Receiver

For CubeSat Application

Data Sheet



10mmx 10mm

Venus838FLPx-L / Venus838FLPx-D

FEATURES

- Customized firmware for CubeSat application
- Maximum velocity 10Km/sec⁺
- -148dBm cold start sensitivity
- -165dBm tracking sensitivity
- 29 second cold start TTFF
- 1 second hot start
- 2.5m accuracy
- 110mW full power navigation
- Works directly with active or passive antenna
- Complete receiver in 10mm x 10mm x 1.3mm size
- Contains LNA, SAW Filter, TCXO, RTC Xtal, LDO
- Pb-free RoHS compliant

The Venus838FLPx-SPC is a high performance, low cost, single chip GPS receiver targeting CubeSat, small satellite, and micro satellite space applications. It offers very low power consumption, high sensitivity, and best in class signal acquisition and time-to-first-fix performance.

Venus838FLPx-SPC contains the necessary components of a complete GPS receiver, including GPS RF front-end, GPS baseband signal processor, 0.5ppm TCXO, 32.768kHz RTC crystal, RTC LDO regulator, and passive components. It takes up only 100mm² PCB footprint.

Dedicated massive-correlator signal parameter search engine within the baseband enables rapid search of all the available satellites and acquisition of weak signal. An advanced track engine allows weak signal tracking and positioning in harsh environments.

Venus838FLPx-SPC is low cost, easy to use, minimizes RF layout design issues..

Product Series	Product Description
Venus838FLPx-L	Flash version GPS receiver (internal 1.2V LDO version) Suitable for lower cost application using internal 1.2V supply
Venus838FLPx-D	Flash version GPS receiver (external 1.2V version) Suitable for lower power application using external 1.2V supply

TECHNICAL SPECIFICATIONS

Receiver Type L1 C/A code
GPS QZSS
167 channel Venus 8 engine

Accuracy Position 2.5m CEP
Velocity 0.1m/sec
Timing 10ns

Open Sky TTFF 29 second cold start
1 second hot start

Reacquisition < 1s

Sensitivity -165dBm tracking
-148dBm cold start

Update Rate 1 / 2 / 4 / 5 / 8 / 10 / 20 / 25 / 40 / 50 Hz (default 1Hz)

Dynamics 4G

Operational Limits Velocity 10Km/s⁺

Datum Default WGS-84

Interface UART LVTTTL level

Baud Rate 4800 / 9600 / 38400 / 115200

Protocol NMEA-0183 V3.01, GGA, GLL, GSA, GSV, RMC, VTG, ZDA
SkyTraq Binary

Main Supply Voltage 2.8V ~ 3.6V (Venus838FLPx-L)
2.8V ~ 3.6V, 1.08V ~ 1.32V (Venus838FLPx-D)

Backup Voltage 2.5V ~ 3.6V

Current Consumption (3.3V)

Number of Search Engine	Acquisition				Tracking
	2	4	6*	8	
Venus838FLPx-L	39mA	45mA	51mA	59mA	33mA
Venus838FLPx-D**	20mA	23mA	26mA	30mA	16mA

* default 6 search engine used
** 90% efficiency 3.3V-to-1.2V switch-mode regulator is used

Operating Temperature -40 ~ +85 deg-C

Storage Temperature -40 ~ +125 deg-C

Package LGA69 10mm x 10mm x 1.3mm, 0.8mm pitch

Weight 0.3g

BLOCK DIAGRAM

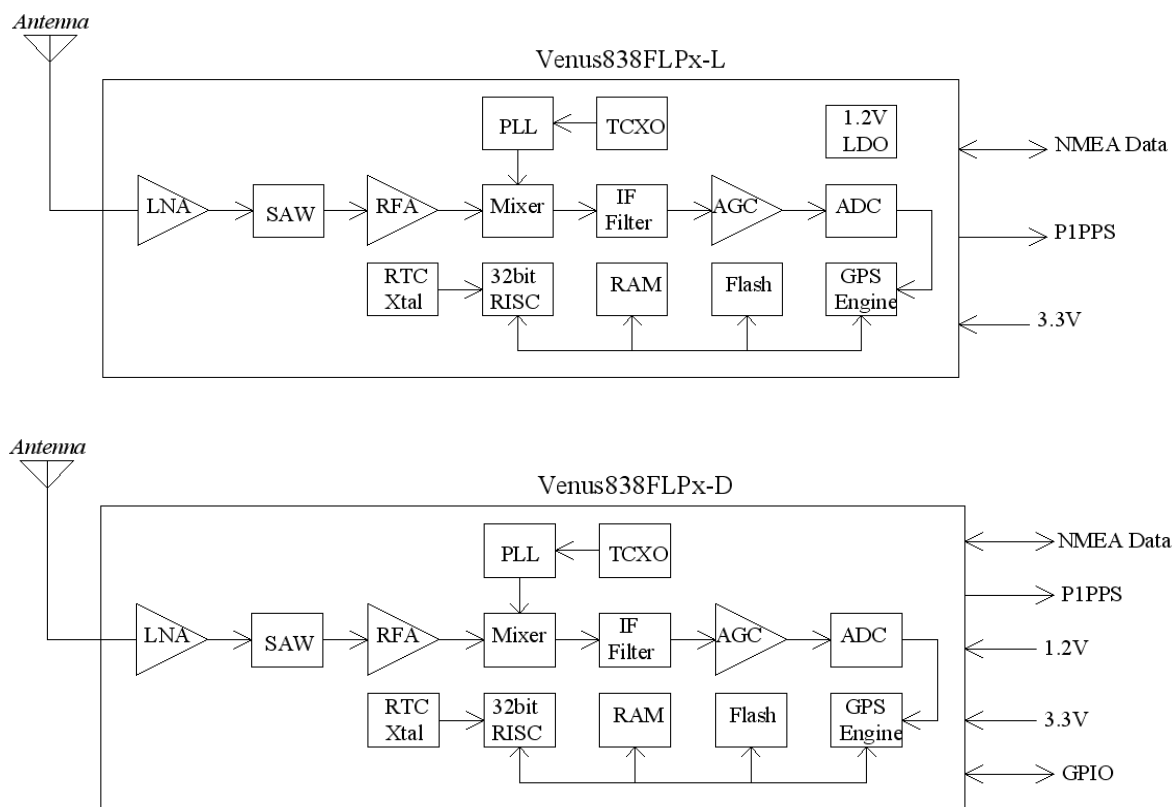


Figure-1 GPS Receiver based on Venus838FLPx

Venus838FLPx PIN-OUT DIAGRAM

Venus838FLPx-L / Venus838FLPx-D Top View

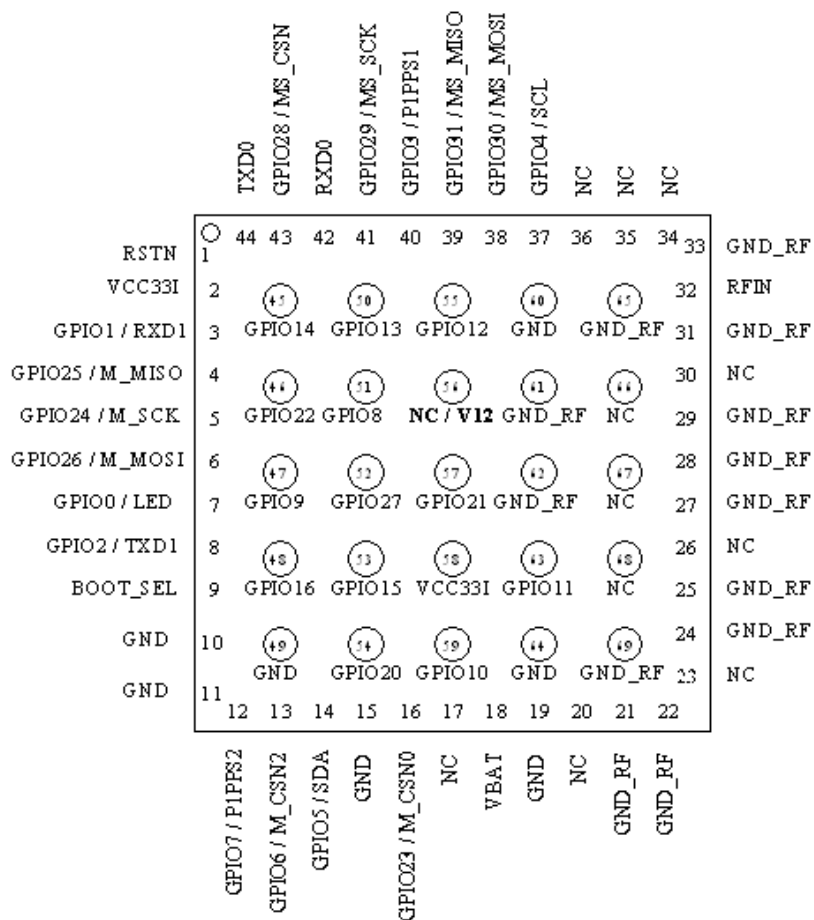


Figure-2 Venus838FLPx Pin-Out Diagram

Venus838FLPx PIN DEFINITION

Pin Number	Signal Name	Type	Description
1	RSTN	Input	Active LOW reset input, 3.3V LVTTTL
2	VCC33I	Power Input	Main voltage supply input, 2.8V ~ 3.6V
3	GPIO1 / RXD1	Bidir	General purpose I/O pin, 3.3V LVTTTL Or receive input of the asynchronous UART port Default not used
4	GPIO25 / M_MISO	Bidir	General purpose I/O pin, 3.3V LVTTTL Or SPI master input Default not used
5	GPIO24 / M_SCK	Bidir	General purpose I/O pin, 3.3V LVTTTL Or SPI master clock Default not used
6	GPIO26 / M_MOSI	Bidir	General purpose I/O pin, 3.3V LVTTTL Or SPI master output Default not used
7	LED / GPIO0	Bidir	Navigation status indicator (default) Or General purpose I/O. 3.3V LVTTTL
8	GPIO2 / TXD1	Bidir	General purpose I/O pin. 3.3V LVTTTL Or transmit output of the asynchronous UART port Default not used

9	BOOT_SEL	Bidir	Boot mode selection. Pull-high or pull-low 1: execute from internal Flash 0: execute from internal ROM This is opposite of Venus638FLPx
10	GND	Power	System ground
11	GND	Power	System ground
12	GPIO7 / P1PPS2	Bidir	General purpose I/O pin, 3.3V LVTTTL Second P1PPS output Default unused
13	GPIO6 / M_CSN2	Bidir	General purpose I/O pin, 3.3V LVTTTL Or SPI master chip select #2 Default not used
14	GPIO5 / SDA	Bidir	General purpose I/O pin, 3.3V LVTTTL Or I2C serial data Default not used
15	GND	Power	System ground
16	GPIO23 / M_CSN0	Bidir	General purpose I/O pin, 3.3V LVTTTL Or SPI master chip select #0 Default not used
17	NC		Not connected, empty pin
18	VBAT	Power Input	Supply voltage for internal RTC and backup SRAM, 2.5V ~ 3.6V. VBAT should be powered by non-volatile supply voltage to have optimal performance. Maximum VBAT current draw when VCC33I is removed is 35uA. If VBAT is connected to VCC33I, powered off as VCC33I power is removed, then it'll cold start every time. For applications that do not care lesser performance cold starting every time, this pin can be connected to VCC33I. Must not be left unconnected.
19	GND	Power	System ground
20	NC		Not connected, empty pin
21	GND_RF	Power	RF section system ground
22	GND_RF	Power	RF section system ground
23	NC		Not connected, empty pin
24	GND_RF	Power	RF section system ground
25	GND_RF	Power	RF section system ground
26	NC		Not connected, empty pin
27	GND_RF	Power	RF section system ground
28	GND_RF	Power	RF section system ground
29	GND_RF	Power	RF section system ground
30	NC		Not connected, empty pin
31	GND_RF	Power	RF section system ground
32	RFIN	Input	GPS signal input, connect to GPS antenna.
33	GND_RF	Power	RF section system ground
34	NC		Not connected, empty pin
35	NC		Not connected, empty pin
36	NC		Not connected, empty pin
37	GPIO4 / SCL	Bidir	General purpose I/O pin, 3.3V LVTTTL Or I2C SCL clock Default not used
38	GPIO30 / MS_MOSI	Bidir	General purpose I/O pin, 3.3V LVTTTL Or SPI master/slave data output Default not used
39	GPIO31 / MS_MISO	Bidir	General purpose I/O pin, 3.3V LVTTTL Or SPI master/slave data input Default not used
40	P1PPS / GPIO3	bidir	1 pulse per second output. Active after position fix; goes HIGH for about 800usec at 1Hz, 3.3V LVTTTL (default) Or general purpose I/O pin
41	GPIO29 / MS_SCK	Output	General purpose output pin, 3.3V LVTTTL Or SPI master/slave clock Default not used
42	RXD0	Input	Received input of the asynchronous UART port. Used to input binary command to the GPS receiver. 3.3V LVTTTL
43	GPIO28 / MS_CSN	Bidir	General purpose I/O pin, 3.3V LVTTTL Or SPI master/slave chip select Default not used

44	TXD0	Output	Transmit output of the asynchronous UART port. Used to output standard NMEA-0183 sentence or response to input binary command. 3.3V LVTTTL
45	GPIO14	Bidir	General purpose I/O pin, 3.3V LVTTTL Default not used
46	GPIO22 / M_CSN1	Bidir	General purpose I/O pin, 3.3V LVTTTL Or SPI master chip select #1 Default not used
47	GPIO9	Bidir	General purpose I/O pin, 3.3V LVTTTL Default not used
48	GPIO16	Bidir	General purpose I/O pin, 3.3V LVTTTL Default not used
49	GND		System ground
50	GPIO13	Bidir	General purpose I/O pin, 3.3V LVTTTL Default not used
51	GPIO8	Bidir	General purpose I/O pin, 3.3V LVTTTL Default not used
52	GPIO27	Input	General purpose I/O pin, 3.3V LVTTTL Default not used
53	GPIO15	Bidir	General purpose I/O pin, 3.3V LVTTTL Default not used
54	GPIO20 / PWM0	Bidir	General purpose I/O pin, 3.3V LVTTTL Or PWM output #0 Default not used
55	GPIO12	Bidir	General purpose I/O pin, 3.3V LVTTTL Default not used
56	NC / V12		NC pin for Venus838FLPx-L 1.2V supply input pin for Venus838FLPx-D
57	GPIO21 / PWM1	Output	General purpose I/O pin, 3.3V LVTTTL Or PWM output #1 Default not used
58	VCC33I	Power Input	Main voltage supply input, 2.8V ~ 3.6V
59	GPIO10	Bidir	General purpose I/O pin, 3.3V LVTTTL Default not used
60	GND	Power	System ground
61	GND_RF	Power	RF section system ground
62	GND_RF	Power	RF section system ground
63	GPIO11	Bidir	General purpose I/O pin, 3.3V LVTTTL Default not used
64	GND	Power	System ground
65	GND_RF	Power	RF section system ground
66,67,68	NC		Not connected, empty pin
69	GND_RF	Power	RF section system ground

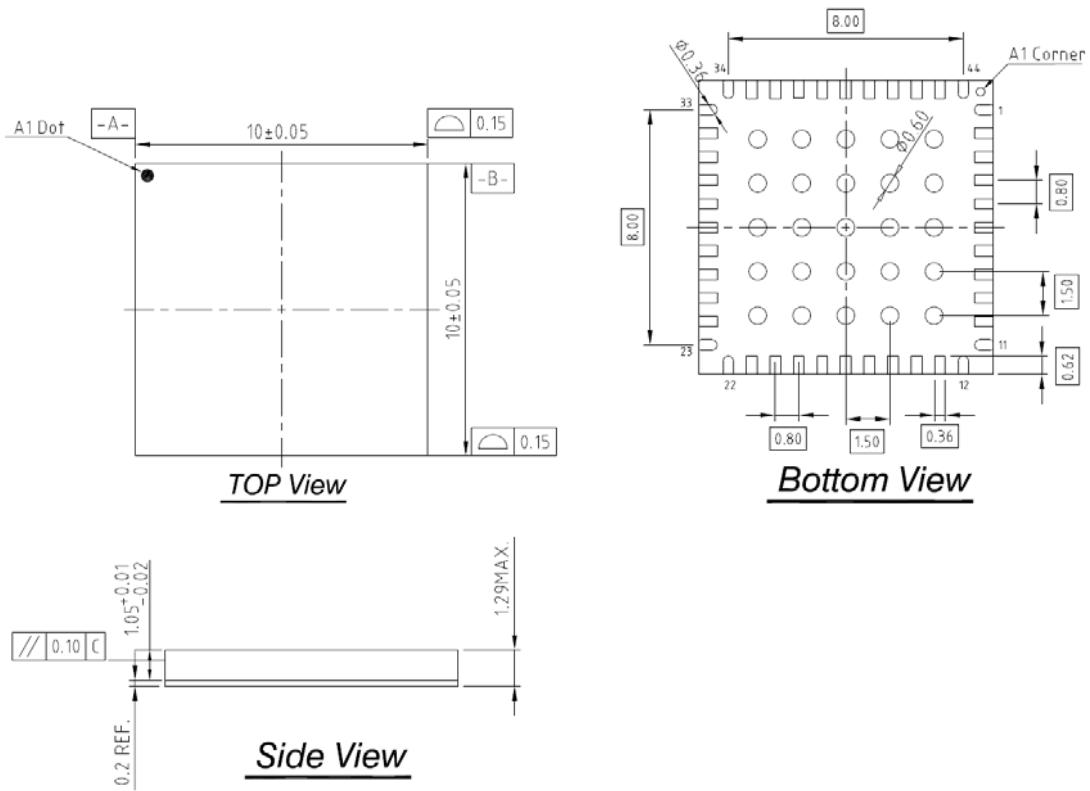
When using Venus838FLPx-L to replace Venus634FLPx, pin-45 ~ pin-69 can all be left unconnected.
When using Venus838FLPx-D, 1.2V need to be supplied at pin-56
The NC pins are to be left unconnected.

DC CHARACTERISTICS OF DIGITAL INTERFACE

Below is when VCC3I is at nominally 3.3V

Parameter	Min.	Typ.	Max.	Units
Input Low Voltage			0.8	Volt
Input High Voltage	2.0			Volt
Output Low Voltage, I _{ol} = 4 ~ 7.8mA			0.4	Volt
Output High Voltage, I _{oh} = 4.6 ~ 15.4mA	2.4			Volt

MECHANICAL DIMENSION



RECOMMENDED PCB FOOTPRINT

Package size = 10 mm x 10mm x 1.3 mm
 Package Pad = 15 x 21 mil
 Package Pitch= 0.8 mm

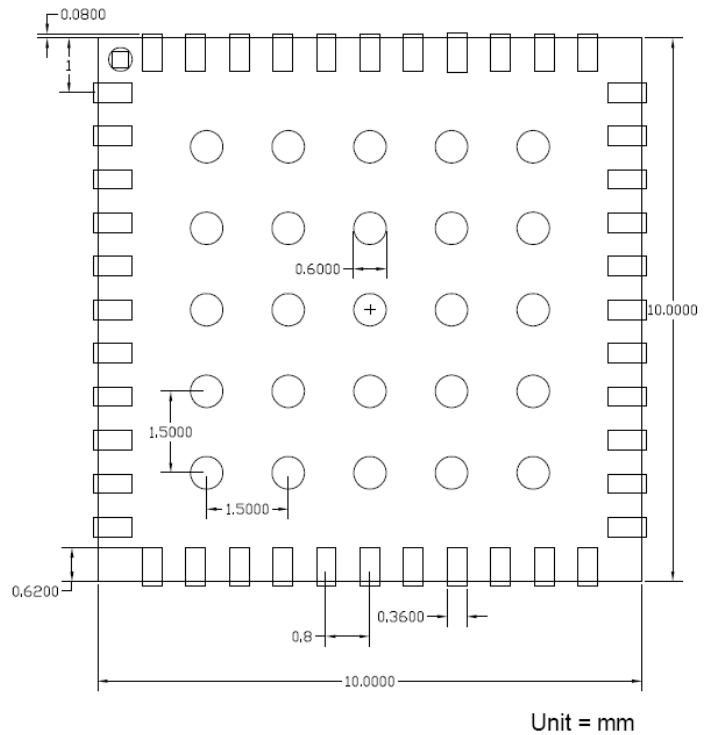
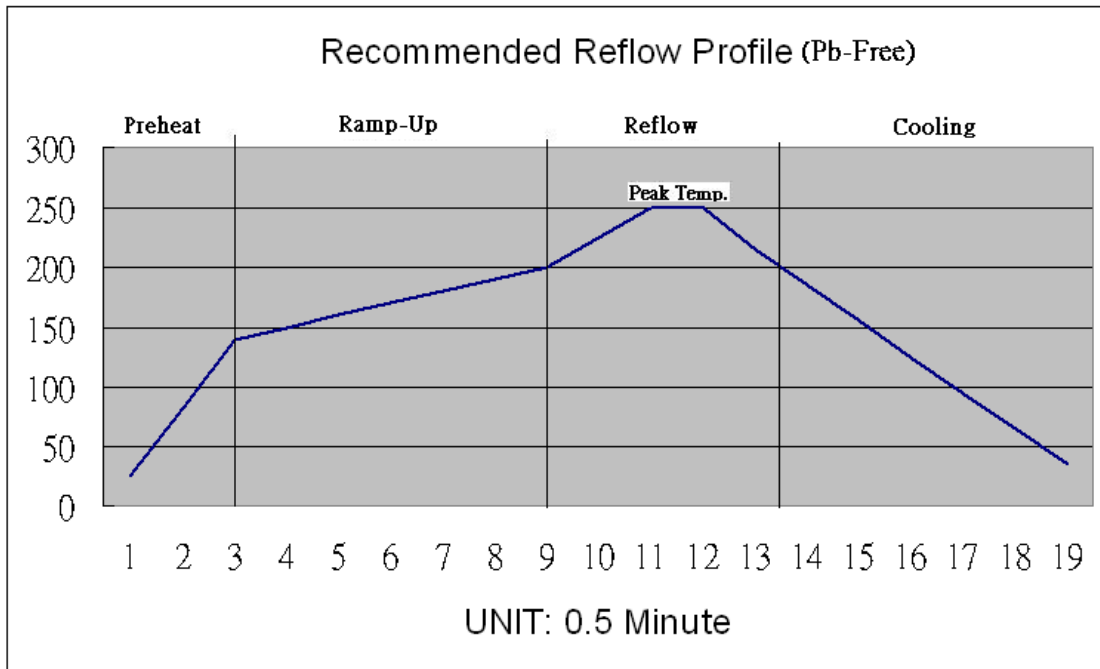


Figure-3 Recommended PCB Footprint.

RECOMMENDED REFLOW PROFILE

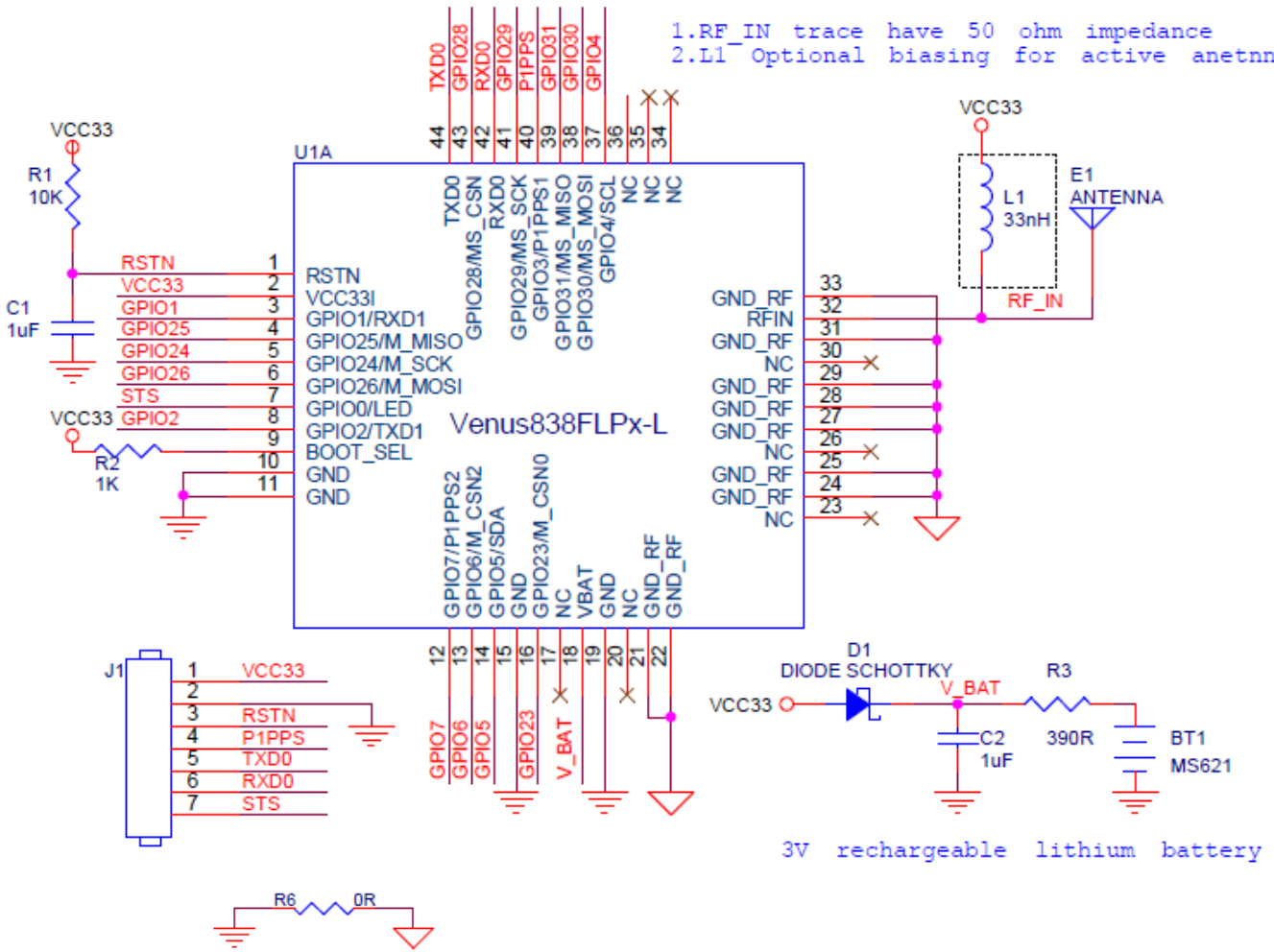


Temperature (°C)	25	82.5	140	150	160	170	180	190	200	225	250	250	215	185	155	125	95	65	35
Time(minute)	0	0.5	1	1.5	2	2.5	3	3.5	4	4.5	5	5.5	6	6.5	7	7.5	8	8.5	9

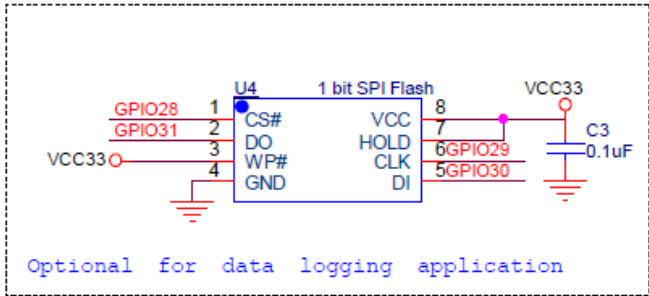
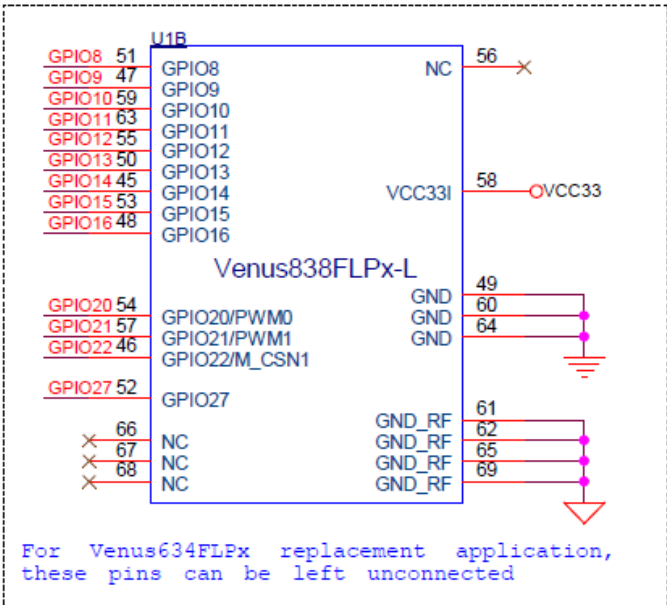
Profile Description	SnPb Eutectic Process	Lead Free Process
Preheat		
Maximum Temperature	100+/-10 °C	140+/-10 °C
Time(Δ T)	40~60s	50~70s
Ramp-Up		
Ramp-Up Rate	1 °C/s Max.	1 °C/s Max.
Time(Δ T)	120~150s	160~200s
Reflow		
Maximum Temperature	Peak Temp.	Peak Temp.
Minimum Temperature	180+/-5°C	200+/-10°C
Peak Temperature	220+/-2°C	250+/-2°C
Time(Δ T) during Peak Temp. +/-2°C	10~30s	20~40s
Reflow Time(Δ T)	120~150s	120~150s
Cooling		
Cooling Rate	1.5 °C/s Max	1.5 °C/s Max
Time(Δ T)	60~120s	150~180s

VENUS838FLPx-L APPLICATION CIRCUIT

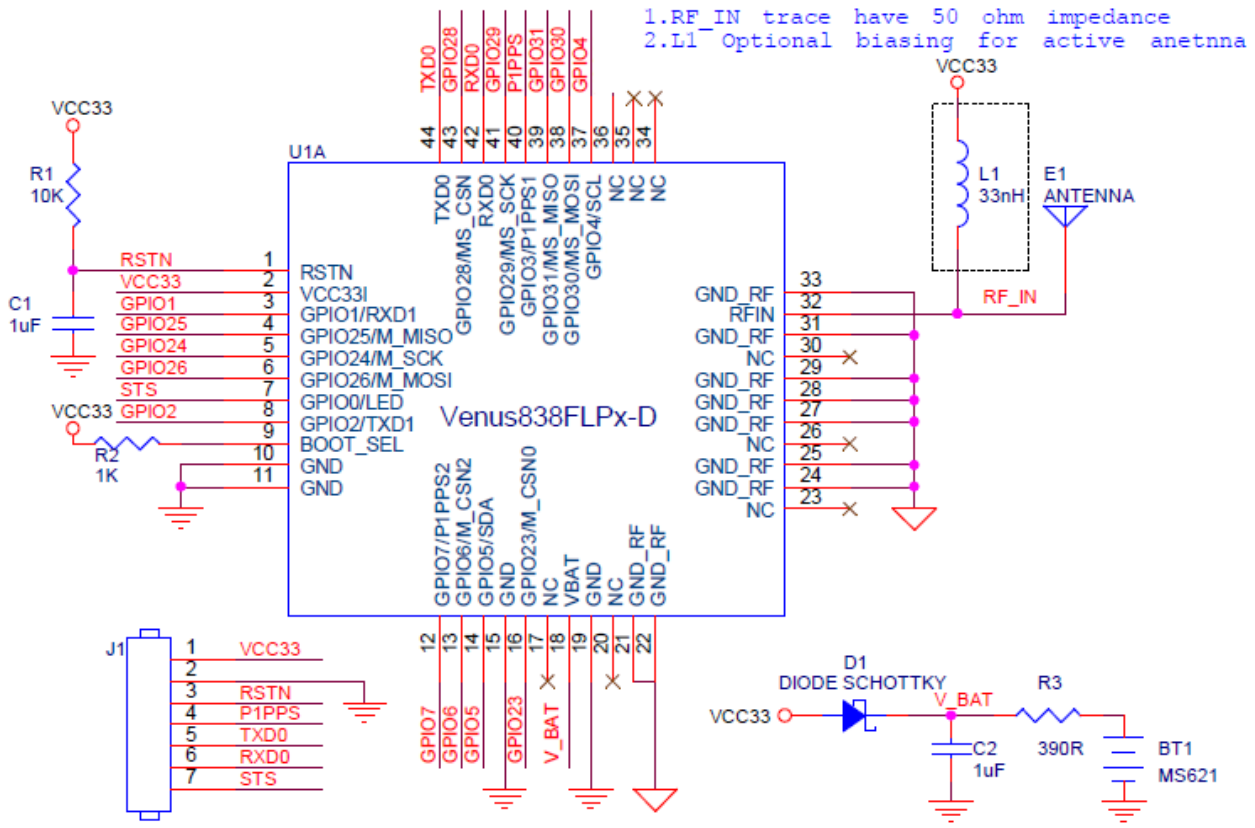
- 1. RF_IN trace have 50 ohm impedance
- 2. L1 Optional biasing for active antenna



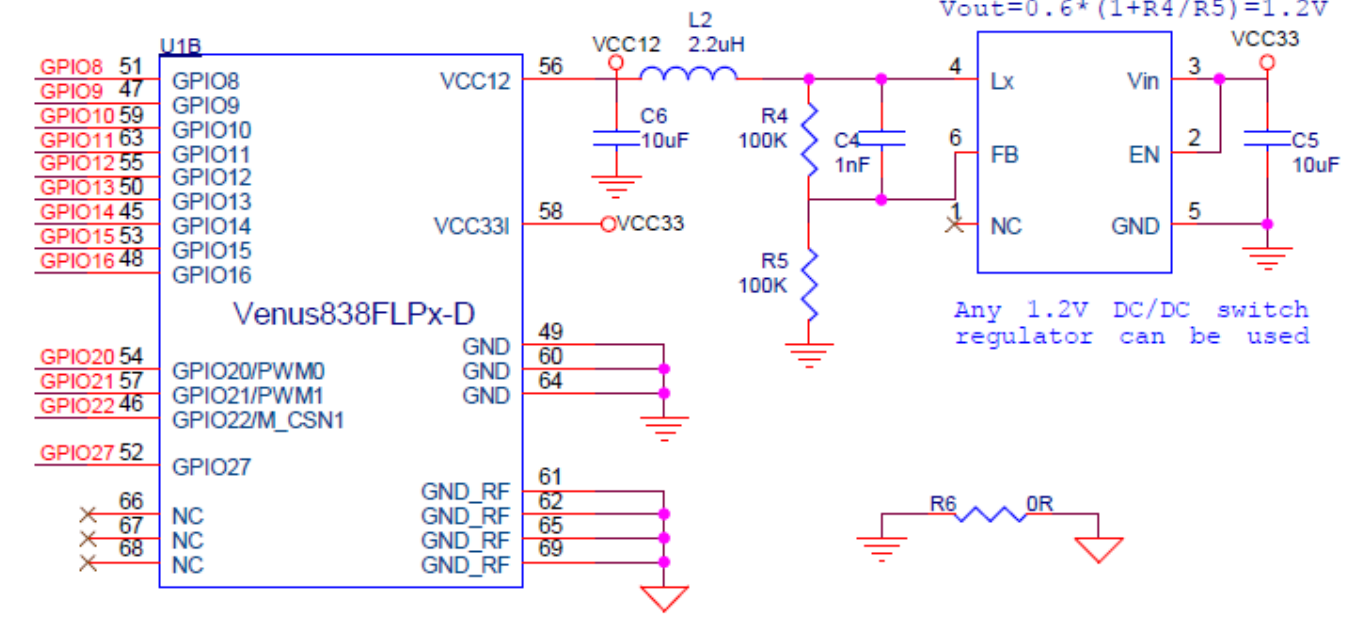
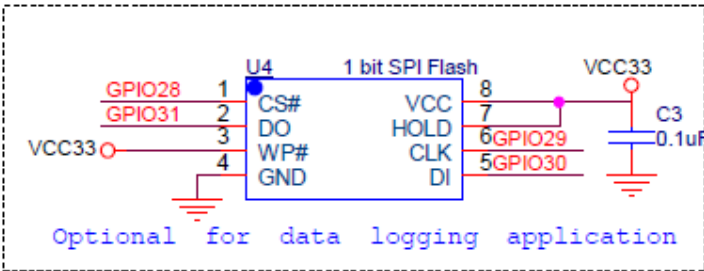
3V rechargeable lithium battery



VENUS838FLPx-D APPLICATION CIRCUIT



3V rechargeable lithium battery



APPLICATION CIRCUIT INTERFACE SIGNALS

STS:	Signal to indicate GPS position status, 3.3V LVTTTL. Active low for no-fix, toggle every second after position fix.
P1PPS:	1 pulse per second time-mark (3.3V LVTTTL)
RSTN:	Active low reset input
VCC33:	3.3V power input
RXD0:	UART input (3.3V LVTTTL)
TXD0:	UART output (3.3V LVTTTL)

APPLICATION INFORMATION

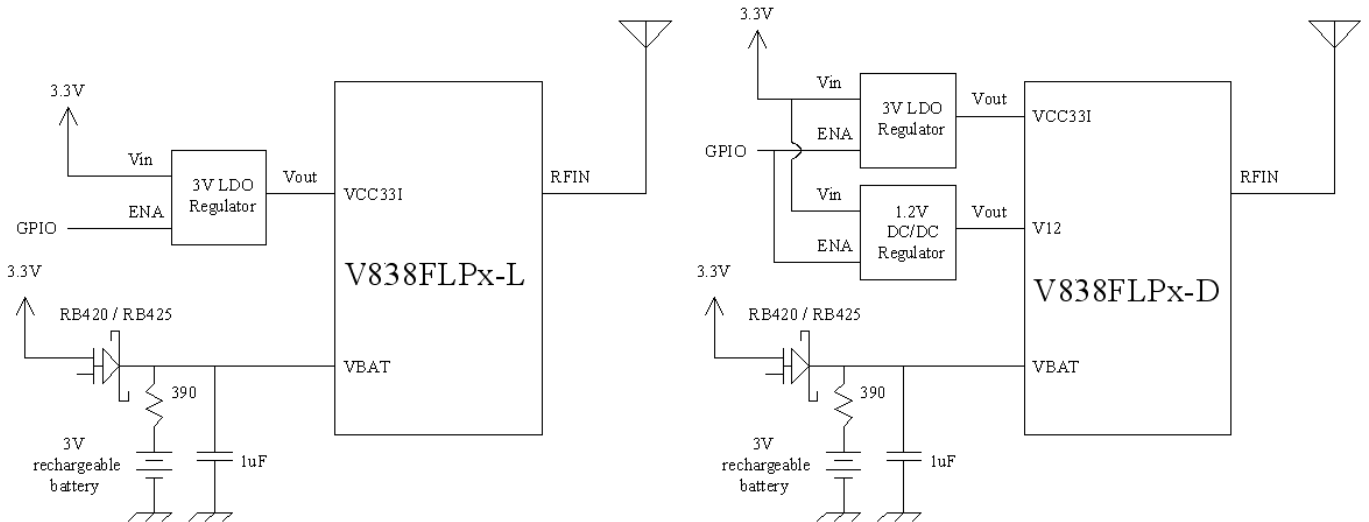
1. For fast-rising power supply, a simple series R/C reset delay to pin-1, RSTN, as indicated in the application circuit is suitable. For system having slow-rising power supply, a reset IC providing 2~5ms reset duration may be necessary.
2. The RF input of Venus838FLPx is already matched to 50-ohm. Passive antenna matched to 50-ohm can be directly applied.
3. For using Venus838FLPx with active antenna, one with gain in range of 10~30dB and noise figure < 2dB can be used. Power to the active antenna needs to be applied externally.
4. Pin-18 VBAT supplies backup power to the real-time clock and backup SRAM for fast startup. For portable applications where there is battery with voltage in range of 2.5V ~ 3.6V as the main source, the VBAT pin can be directly connected to it. If VBAT is connected to main power as pin-2, no supply voltage as Venus838FLPx is powered off, then it'll cold start every time and GPS performance will not be optimal.
5. Like BGA device, the Venus838FLPx is moisture sensitive. It needs to be handled with care to void damage from moisture absorption and SMT re-flow. The device should be baked for 24 hours at 125-degC before mounting for SMT re-flow if it has been removed from the protective seal for more than 48^{*1}hours.
6. If hot plug/remove power and UART serial interface, add at least 1K-ohm series resistor to pin-42 RXD0 and pin-44 TXD0 to improve ESD protection.
7. The supported SPI Flash memory verified for data logging application are:

Manufacturer	Device ID	Size
EON	EN25F040	4Mbit
EON	EN25F080	8Mbit
MXIC	MX25L400	4Mbit
MXIC	MX25L800	8Mbit
MXIC	MX25L1605	16Mbit
MXIC	MX25L3205	32Mbit
MXIC	MX25L6405	64Mbit
WINBOND	W25X40	4Mbit
WINBOND	W25X80	8Mbit
WINBOND	W25X16	16Mbit
WINBOND	W25X32	32Mbit
WINBOND	W25X64	64Mbit
SST	SST25LF040	4Mbit
SST	SST25LF080	8Mbit
SST	SST25VF016	16Mbit
SST	SST 25VF032	32Mbit

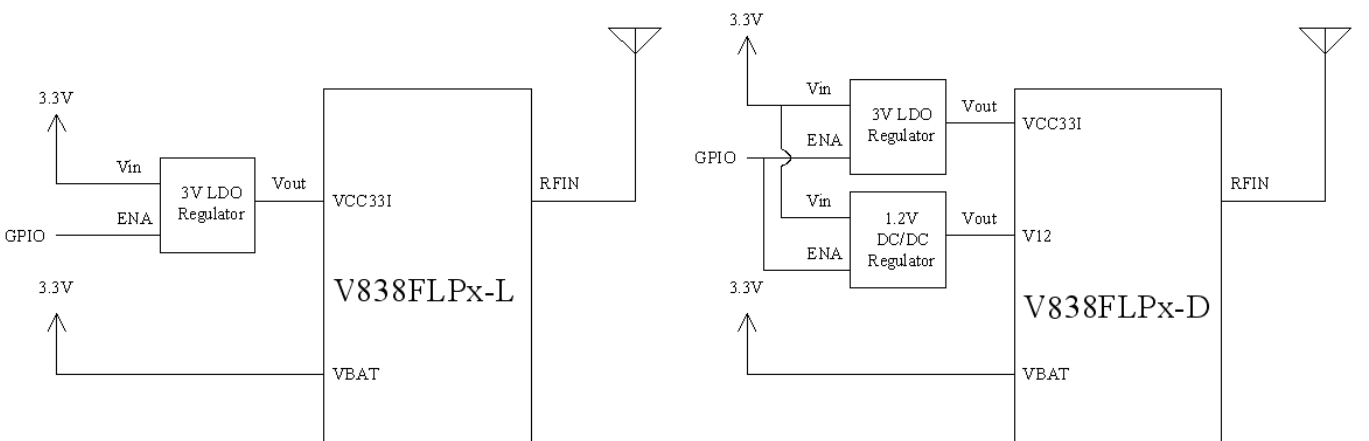
*1: Actual will be longer, moisture sensitivity level still undergoing verification.

SLEEP MODE

For application requiring sleep mode, it can be implemented using regulator with enable control as below figure shows. To put Venus838FLPx to sleep, the power to Venus838FLPx is cut off by disabling the regulator via host processor GPIO pin. In sleep mode, VBAT consume less than 40uA. Fast start up operation is provided by keeping supply voltage to VBAT constant, retaining the internal data and keep RTC running while Venus838FLPx is put to sleep or when supply 3.3V power is removed.

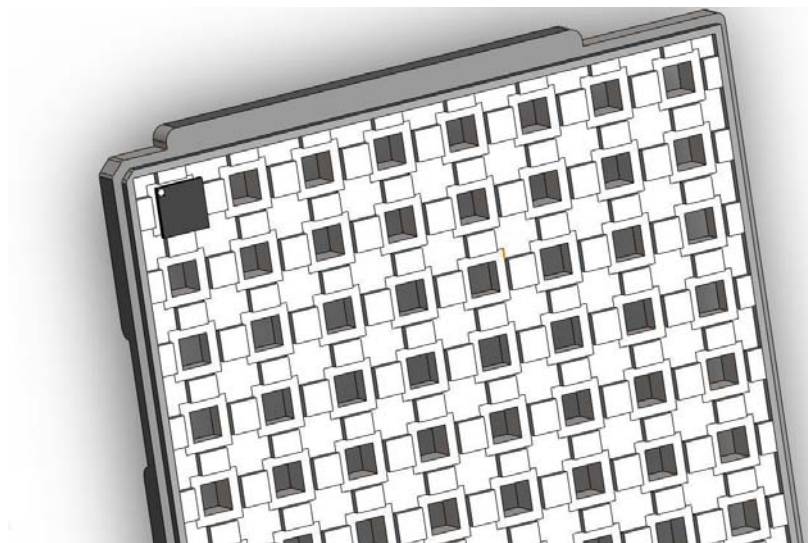
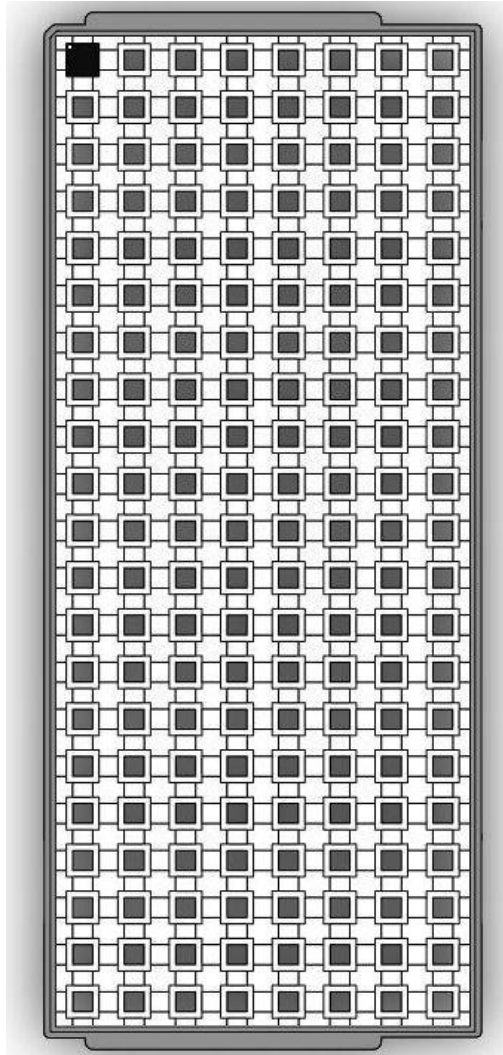


For applications needing sleep mode but cannot have extra cost of adding a rechargeable backup supply battery, it can be implemented as below figure shows. It will provide fast start up when Venus838FLPx is put to sleep and awakened, but will cold start every time when the 3.3V supply voltage is removed and re-applied again.



When using sleep mode, add 10K ~ 20K series resistor on pin-42 RXD0 to reduce leakage current.

PACKAGE



NMEA MESSAGES

The full descriptions of supported NMEA messages are provided at the following paragraphs.

GGA - Global Positioning System Fix Data

Time, position and fix related data for a GPS receiver.

Structure:

```
$GPGGA,hhmmss.ssssss,ddmm.mmmm,a,dddmm.mmmm,a,x,xx,x.x,x.x,M,,,,xxxx*hh<CR><LF>
```

1
2
3
4
5 6 7 8 9
10 11

Example:

```
$GPGGA,111636.998665,2447.0949,N,12100.5223,E,1,11,0.8,118.2,M,,,,0000*37<CR><LF>
```

Field	Name	Example	Description
1	UTC Time	111636.998665	UTC of position in hhmmss.ssssss format, (000000.000 ~ 235959.999999)
2	Latitude	2447.0949	Latitude in ddmm.mmmm format Leading zeros transmitted
3	N/S Indicator	N	Latitude hemisphere indicator, 'N' = North, 'S' = South
4	Longitude	12100.5223	Longitude in dddmm.mmmm format Leading zeros transmitted
5	E/W Indicator	E	Longitude hemisphere indicator, 'E' = East, 'W' = West
6	GPS quality indicator	1	GPS quality indicator 0: position fix unavailable 1: valid position fix, SPS mode 2: valid position fix, differential GPS mode 3: GPS PPS Mode, fix valid 4: Real Time Kinematic. System used in RTK mode with fixed integers 5: Float RTK. Satellite system used in RTK mode. Floating integers 6: Estimated (dead reckoning) Mode 7: Manual Input Mode 8: Simulator Mode
7	Satellites Used	11	Number of satellites in use, (00 ~ 20)
8	HDOP	0.8	Horizontal dilution of precision, (0.0 ~ 99.9)
9	Altitude	108.2	mean sea level (geoid), (-9999.9 ~ 47999.9)
10	DGPS Station ID	0000	Differential reference station ID, 0000 ~ 1023 NULL when DGPS not used

11	Checksum	37	
----	----------	----	--

GLL – Latitude/Longitude

Latitude and longitude of current position, time, and status.

Structure:

\$GPGLL,ddmm.mmmm,a,dddmm.mmmm,a,hhmmss.ssssss,A,a*hh<CR><LF>

1 2 3 4 5 6 7 8

Example:

\$GPGLL,2447.0949,N,12100.5223,E,111636.998665,A,A*63<CR><LF>

Field	Name	Example	Description
1	Latitude	2447.0949	Latitude in ddmm.mmmm format Leading zeros transmitted
2	N/S Indicator	N	Latitude hemisphere indicator 'N' = North 'S' = South
3	Longitude	12100.5223	Longitude in dddmm.mmmm format Leading zeros transmitted
4	E/W Indicator	E	Longitude hemisphere indicator 'E' = East 'W' = West
5	UTC Time	111636.99866 5	UTC time in hhmmss.sss format (000000.000000 ~ 235959.999999)
6	Status	A	Status, 'A' = Data valid, 'V' = Data not valid
7	Mode Indicator	A	Mode indicator 'N' = Data not valid 'A' = Autonomous mode 'D' = Differential mode 'E' = Estimated (dead reckoning) mode 'M' = Manual input mode 'S' = Simulator mode
8	Checksum	63	

GSA – GNSS DOP and Active Satellites

GPS receiver operating mode, satellites used in the navigation solution reported by the GGA or GNS sentence and DOP values.

Structure:

```
$GPGSA,A,x,xx,xx,xx,xx,xx,xx,xx,xx,xx,xx,xx,xx,x.x,x.x,x.x*x*hh<CR><LF>
    1 2 3 3 3 3 3 3 3 3 3 3 3 4 5 6 7
```

Example:

```
$GPGSA,A,3,05,12,21,22,30,09,18,06,14,01,31,,1.2,0.8,0.9*36<CR><LF>
```

Field	Name	Example	Description
1	Mode	A	Mode 'M' = Manual, forced to operate in 2D or 3D mode 'A' = Automatic, allowed to automatically switch 2D/3D
2	Mode	3	Fix type 1 = Fix not available 2 = 2D 3 = 3D
3	Satellite used 1 ~ 12	05,12,21,22,3 0,09,18,06,14, 01,31,,	Satellite ID number, 01 to 32, of satellite used in solution, up to 12 transmitted
4	PDOP	1.2	Position dilution of precision (0.0 to 99.9)
5	HDOP	0.8	Horizontal dilution of precision (0.0 to 99.9)
6	VDOP	0.9	Vertical dilution of precision (0.0 to 99.9)
7	Checksum	36	

GSV – GNSS Satellites in View

Number of satellites (SV) in view, satellite ID numbers, elevation, azimuth, and SNR value. Four satellites maximum per transmission.

Structure:

```
$GPGSV,x,x,xx,xx,xx,xxx,xx,...,xx,xx,xxx,xx *hh<CR><LF>
  1 2 3 4 5 6 7 4 5 6 7 8
```

Example:

```
$GPGSV,3,1,12,05,54,069,45,12,44,061,44,21,07,184,46,22,78,289,47*72<CR><LF>
$GPGSV,3,2,12,30,65,118,45,09,12,047,37,18,62,157,47,06,08,144,45*7C<CR><LF>
$GPGSV,3,3,12,14,39,330,42,01,06,299,38,31,30,256,44,32,36,320,47*7B<CR><LF>
```

Field	Name	Example	Description
1	Number of message	3	Total number of GSV messages to be transmitted (1-5)
2	Sequence number	1	Sequence number of current GSV message
3	Satellites in view	12	Total number of satellites in view (00 ~ 20)
4	Satellite ID	05	Satellite ID number, GPS: 01 ~ 32, SBAS: 33 ~ 64 (33 = PRN120)
5	Elevation	54	Satellite elevation in degrees, (00 ~ 90)
6	Azimuth	069	Satellite azimuth angle in degrees, (000 ~ 359)
7	SNR	45	C/No in dB (00 ~ 99) Null when not tracking
8	Checksum	72	

RMC – Recommended Minimum Specific GNSS Data

Time, date, position, course and speed data provided by a GNSS navigation receiver.

Structure:

\$GPRMC,hhmmss.ssssss,A,dddmm.mmmm,a,dddmm.mmmm,a,x.x,x.x,ddmmy,,a*hh<CR><LF>
 1 2 3 4 5 6 7 8 9 10 11

Example:

\$GPRMC,111636.998665,A,2447.0949,N,12100.5223,E,0.000,000.0,130712,,,A*52<CR><LF>

Field	Name	Example	Description
1	UTC time	0111636.998665	UTC time in hhmmss.ssssss format (000000.000000 ~ 235959.999999)
2	Status	A	Status 'V' = Navigation receiver warning 'A' = Data Valid
3	Latitude	2447.0949	Latitude in dddmm.mmmm format Leading zeros transmitted
4	N/S indicator	N	Latitude hemisphere indicator 'N' = North 'S' = South
5	Longitude	12100.5223	Longitude in dddmm.mmmm format Leading zeros transmitted
6	E/W Indicator	E	Longitude hemisphere indicator 'E' = East 'W' = West
7	Speed over ground	0.000	Speed over ground in knots (000.000 ~ 19438.445)
8	Course over ground	000.0	Course over ground in degrees (000.0 ~ 359.9)
9	UTC Date	130712	UTC date of position fix, ddmmyy format
10	Mode indicator	A	Mode indicator 'N' = Data not valid 'A' = Autonomous mode 'D' = Differential mode 'E' = Estimated (dead reckoning) mode 'M' = Manual input mode 'S' = Simulator mode
11	checksum	52	

VTG – Course Over Ground and Ground Speed

The Actual course and speed relative to the ground.

Structure:

```
GPVTG,x.x,T,,M,x.x,N,x.x,K,a*hh<CR><LF>
      1      2      3      4  5
```

Example:

```
$GPVTG,000.0,T,,M,0.000,N,0.000,K,A*0D<CR><LF>
```

Field	Name	Example	Description
1	Course	000.0	True course over ground in degrees (000.0 ~ 359.9)
2	Speed	0.000	Speed over ground in knots (000.000 ~ 19438.445)
3	Speed	0.000	Speed over ground in kilometers per hour (0000.000 ~ 36000.000)
4	Mode	A	Mode indicator 'N' = not valid 'A' = Autonomous mode 'D' = Differential mode 'E' = Estimated (dead reckoning) mode 'M' = Manual input mode 'S' = Simulator mode
5	Checksum	0D	

ZDA – Time & Date

UTC, day, month, year and local time zone.

Structure:

```
$GPZDA,hhmmss.ssssss,xx,xx,xxxx,xx,xx*hh<CR><LF>
      1      2 3 4 5 6 7
```

Example:

```
$GPZDA,111636.998665,13,07,2012,00,00*6D<CR><LF>
```

Field	Name	Example	Description
1	UTC time	111636.99866 5	UTC time in hhmmss.sss format (000000.000000 ~ 235959.999999)
2	Day	13	Day, 01 to 31
3	Month	07	Month, 01 to 12
4	Year	2012	Year in yyyy format
5	Local zone hours	00	Local zone hours, 00 to +/- 13 hrs
6	Local zone minutes	00	Local zone minutes, 00 to +59
7	checksum	6D	

ORDERING INFORMATION

Part Number	Description
Venus838FLPx-L-SPC	Flash version GPS receiver (internal 1.2V LDO version). Venus838FLPx-L with customized firmware for CubsSat application. Default baud rate 9600.
Venus838FLPx-D-SPC	Flash version GPS receiver (external 1.2V version). Venus838FLPx-D with customized firmware for CubeSat application. Default baud rate 9600.
Venus838FLPx-L-SPC-RAW	Flash version GPS receiver (internal 1.2V LDO version). Venus838FLPx-L with customized firmware for CubsSat application and carrier phase raw measurement output capability. Default baud rate 115200.
Venus838FLPx-D-SPC-RAW	Flash version GPS receiver (external 1.2V version) Venus838FLPx-D with customized firmware for CubeSat application and carrier phase raw measurement output capability. Default baud rate 115200.

SkyTraq Technology, Inc.
4F, No.26, Minsiang Street, Hsinchu, Taiwan, 300
Phone: +886 3 5678650
Fax: +886 3 5678680
Email: info@skytraq.com.tw

© 2017 SkyTraq Technology Inc. All rights reserved.
Not to be reproduced in whole or part for any purpose without written permission of SkyTraq Technology Inc (“SkyTraq”). Information provided by SkyTraq is believed to be accurate and reliable. These materials are provided by SkyTraq as a service to its customers and may be used for informational purposes only. SkyTraq assumes no responsibility for errors or omissions in these materials, nor for its use. SkyTraq reserves the right to change specification at any time without notice.

These materials are provided “as is” without warranty of any kind, either expressed or implied, relating to sale and/or use of SkyTraq products including liability or warranties relating to fitness for a particular purpose, consequential or incidental damages, merchantability, or infringement of any patent, copyright or other intellectual property right. SkyTraq further does not warrant the accuracy or completeness of the information, text, graphics or other items contained within these materials. SkyTraq shall not be liable for any special, indirect, incidental, or consequential damages, including without limitation, lost revenues or lost profits, which may result from the use of these materials.

SkyTraq products are not intended for use in medical, life-support devices, or applications involving potential risk of death, personal injury, or severe property damage in case of failure of the product.

Change Log

Version 6, June 4, 2020

1. Added default baud rate information to part number description

Version 5, May 28, 2020

2. Updated GGA description and ordering information

Version 4, October 8, 2019

3. Updated NMEA speed related fields

Version 3, November 22, 2018

1. Increased max velocity to 10Km/sec+

Version 2, April 19, 2018

1. Lowered max velocity to 7.8Km/sec+

Version 1, October 5, 2017

1. Initial release